

Product Data Sheet

ABPF-98MBW20-01

88-108 MHz LC Band Pass Filter

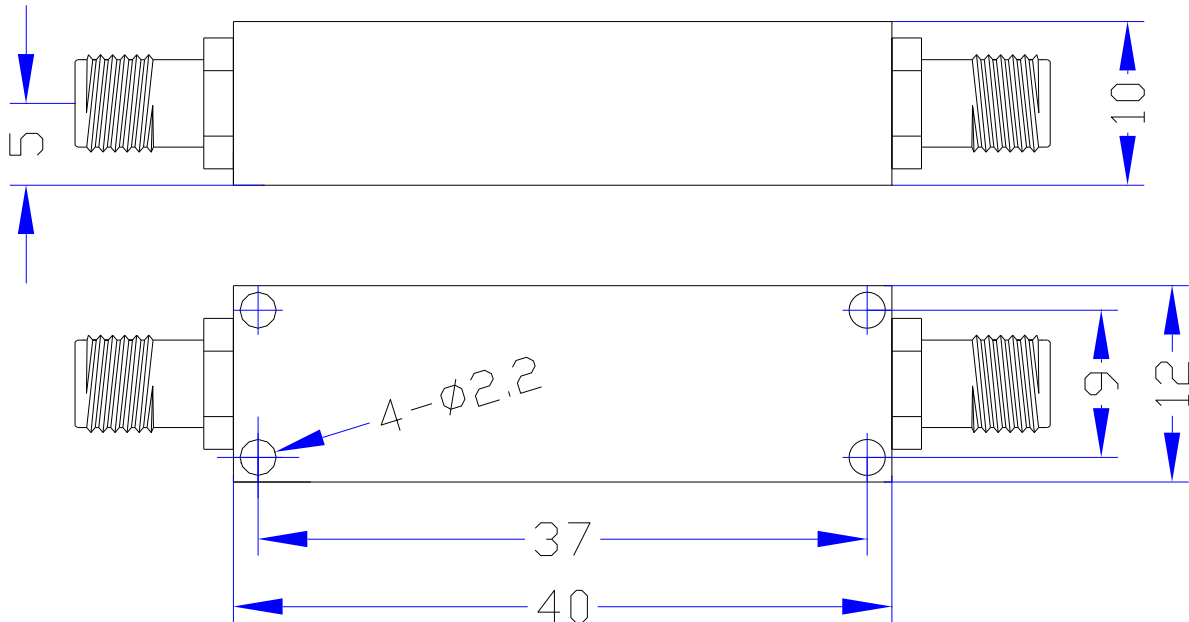
- Revision history

Rev.	Change	Date
00	Initial Version	2018-11-30

- Specification

Parameter	Unit	Specification
Center Frequency (Fo)	MHz	98
1 dB Band Width	MHz	20 MHz (Passband: 88 – 108 MHz)
Passband Insertion Loss at 98MHz	dB	2 max.
VSWR		1.5:1 max
Rejection (min)	dB	Dc – 70MHz: ≥ 45 dB 140 - 300MHz: >40 dB
Power Handling	W	Average: 1W
Impedance	-	50 ohm
Connectors		SMA-Female
Operating temperature	$^{\circ}$ C	-20 $^{\circ}$ C ~ 60 $^{\circ}$ C

Mechanical Dimensions



Typical Frequency Response

